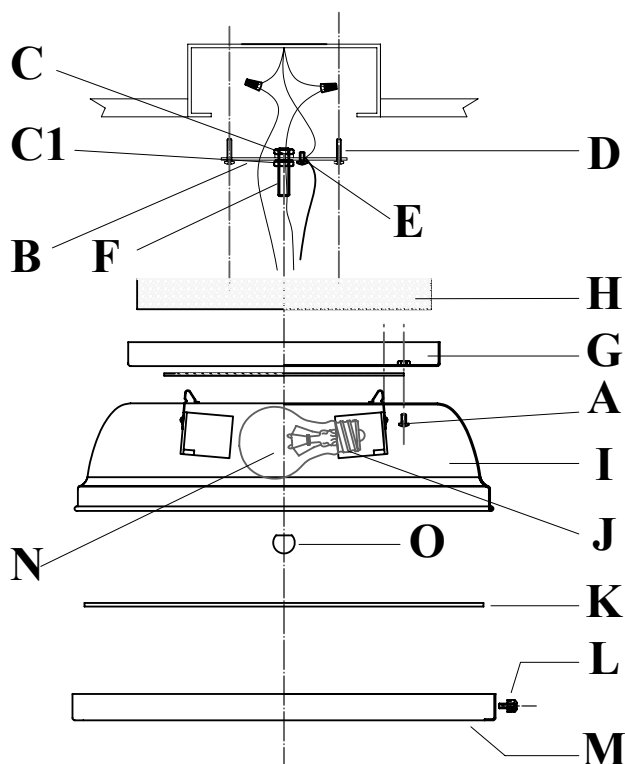
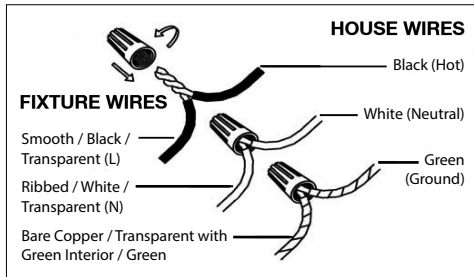


# Assembly Instructions: 3602-14 (Duncan)

## IMPORTANT:

- ALL INSTALLATION WORK SHOULD BE DONE BY ACCREDITED PROFESSIONAL.
- SHUT OFF POWER SUPPLY AT FUSE OR CIRCUIT BREAKER!
- USE ONLY THE SPECIFIED BULBS. DO NOT EXCEED THE MAXIMUM WATTAGE!

For Customer Service, contact the place of purchase.



## PREPARING FOR INSTALLATION

Remove all of the contents from the carton. See the important notes above. Shut off the power at the circuit breaker and completely remove the old fixture from the ceiling, including the old mounting strap.

From the parts bag remove the mounting strap assembly. One end of nipple (F) should be attached to mounting strap (B) with washer and hex nut (C and C1) in place. Attach mounting strap (B) to the junction box using mounting screws (D) and a screwdriver. Tighten securely.

## CONNECTING THE WIRES

Have an assistant support the fixture's weight while completing the wiring. Cut away excess wire. Thread the fixture's wires through canopy loop and nipple. Attach the fixture's wires to the power supply wires from the junction box. Connect black to smooth/black/transparent (L) wire; white to ribbed/white/transparent (N) wire; ground to ground (green or copper). Twist the ends of the wire pairs together, and then twist on a wire connector. Make sure all twists are in the same direction. If there is no ground wire (green or copper) from the junction box, locate ground screw (E) on the mounting bracket/mounting strap and wrap the fixture's ground wire around the green ground screw (E). Use a screwdriver to secure ground screw (E) onto the mounting bracket/mounting strap. Tuck all wires neatly into the junction box.

## FINISHING THE INSTALLATION

Unscrew screws (L). Remove diffuser and metal ring (K and M).

Avoid touching the insulation with your bare hands. Raise the top of ceiling pan (G) to mounting strap (B). Position nipple (F) so that it protrudes through the center of ceiling pan (G). Secure fixture (G) to mounting strap (A) by threading decorative nut (H) onto nipple (F). Tighten securely.

Push shade (I) up to ceiling pan (G). Twist screw (A) into ceiling pan (G). Secure in place by twisting shade (I) so that the key hole locks onto screw (A). Install light bulbs (not provided) in accordance with the fixture's specifications. Do not exceed the maximum wattage.

Place diffuser (K) into metal ring (M). Raise metal ring (M) up beneath shade (I) and twist screws (L) into each screw hole of metal ring (M). Twist until secure.

Your installation is now complete. Turn on the power and test the fixture.

## CLEANING TIPS

Treat the fixture gently! Regular cleaning will reduce the need for deep cleaning. For regular cleaning, turn off the light and wipe down the fixture with a clean lint-free cotton or microfiber cloth. Never spray cleaner directly onto the fixture.

